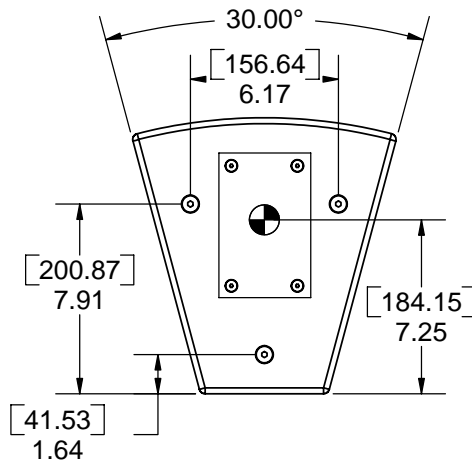
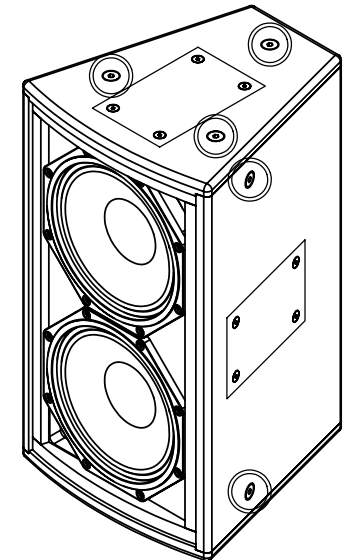
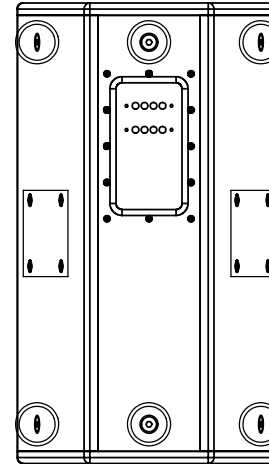
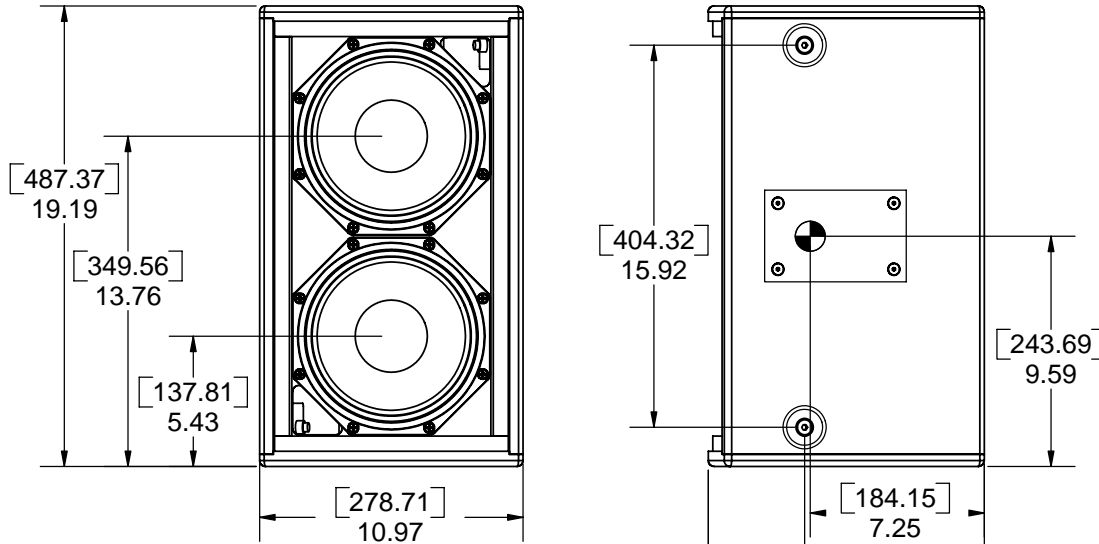


		REVISIONS			
ZONE	REV.	DESCRIPTION	DATE	APPROVED	

NOTES:

- A. CABINET WEIGHT 34 LBS [15.45 KG]
- B. SHIPPING WEIGHT 40 LBS [18.18 KG]



PRIMARY UNITS US CUSTOMARY
 SECONDARY UNITS SI
 TOLERANCES:
 LINEAR: ±0.125" UCS, ±3.17E-3 m SI
 ANGULAR: ±.1°
 BEND ±.5°
 WEIGHT: ±0.1lb UCS, BY MASS ±.045kg SI
 STANDARD FINISH

Black ProCoat
 OPTIONAL FINISHES
White
 ORDERING OPTIONS
 P, PW, W

PROPRIETARY AND CONFIDENTIAL
 THE INFORMATION CONTAINED IN THIS DRAWING IS THE SOLE PROPERTY OF **McCauley Sound Inc.** ANY REPRODUCTION OF SAID PRODUCT, IN PART OR AS A WHOLE WITHOUT THE WRITTEN PERMISSION OF **McCauley Sound Inc.** IS PROHIBITED.

	NAME	DATE
DRAWN	RM	071806
CHECKED	RM	071806

- Denotes Center of gravity
 - 5/18 X 18 T-NUT FOR 60 SERIES OMNI MOUNT
 - 3/8 X 18 FLY POINT
- DRAWING NOT TO SCALE

McCauley Sound Inc.
 16607 Meridian Ave E
 Puyallup, WA 98375
 (ph 253-848-0363) (fax 253-841-3050)
 www.mccauleysound.com
 www.linearray.com

SIZE	A	ID1.208-ML	REV.	1
------	---	------------	------	---