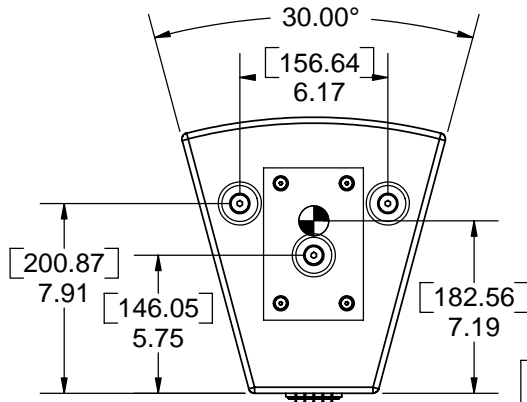
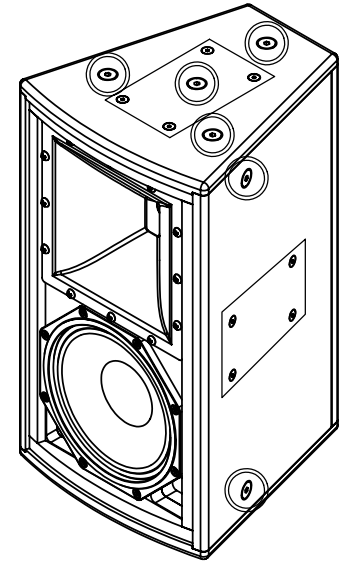
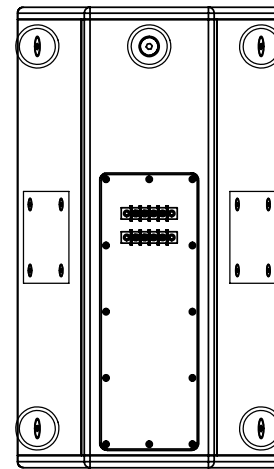
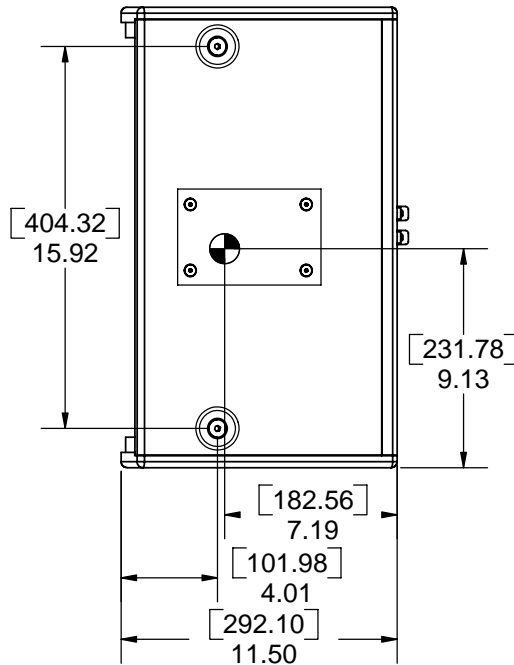
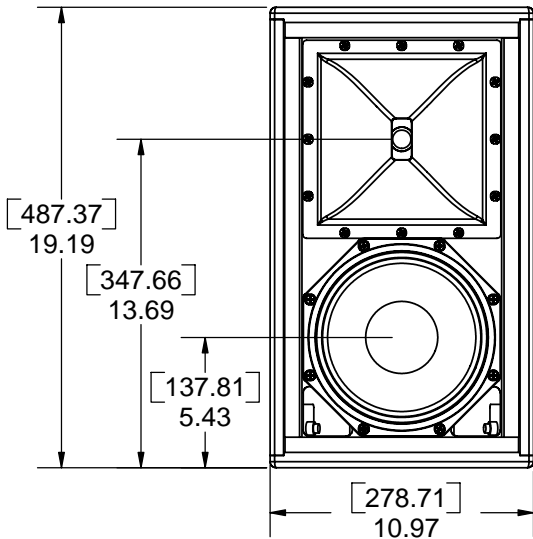
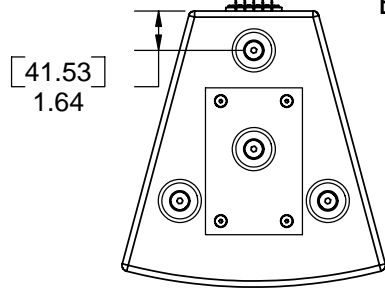


NOTES:

- A. CABINET WEIGHT 31.0 LBS [14.09 KG]
- B. SHIPPING WEIGHT 37.0 LBS [16.81 KG]

		REVISIONS			
ZONE	REV.	DESCRIPTION	DATE	APPROVED	



PRIMARY UNITS US CUSTOMARY
 SECONDARY UNITS SI
 TOLERANCES:
 LINEAR: ±0.125" UCS, ±3.17E-3 m SI
 ANGULAR: ±1°
 BEND ±5°
 WEIGHT: ±0.1lb UCS, BY MASS ±0.045kg SI
 STANDARD FINISH

Black ProCoat
 OPTIONAL FINISHES
White
 ORDERING OPTIONS
 P, PW, W

PROPRIETARY AND CONFIDENTIAL
 THE INFORMATION CONTAINED IN THIS DRAWING IS THE SOLE PROPERTY OF **McCauley Sound Inc.** ANY REPRODUCTION OF SAID PRODUCT, IN PART OR AS A WHOLE WITHOUT THE WRITTEN PERMISSION OF **McCauley Sound Inc.** IS PROHIBITED.

	NAME	DATE
DRAWN	RM	071006
CHECKED	RM	071006

- Denotes Center of gravity
 - 5/18 X 18 T-NUT FOR 60 SERIES OMNI MOUNT
 - 3/8 X 18 FLY POINT
- DRAWING NOT TO SCALE

McCauley Sound Inc.
 16607 Meridian Ave E
 Puyallup, WA 98375
 (ph 253-848-0363) (fax 253-841-3050)
 www.mccauleysound.com
 www.linearray.com

SIZE	ID1.108-99	REV.	1
------	------------	------	---