

# AC588

product group: **Advanced Contractor's Series**  
system type: **Dual 18" Extended Low**

## construction

The AC588 is a high power handling subwoofer system in a rectangular, computer optimized, vented enclosure. Loudspeaker complement consists of twin high excursion sub-bass 18"s. The enclosure is constructed of durable 12-ply void-free birch laminate, dadoed for strength and durability. Each component is loaded into its own optimized sub-enclosure. Perforated steel is employed for frontal protection of the loudspeaker complement.

## Features:

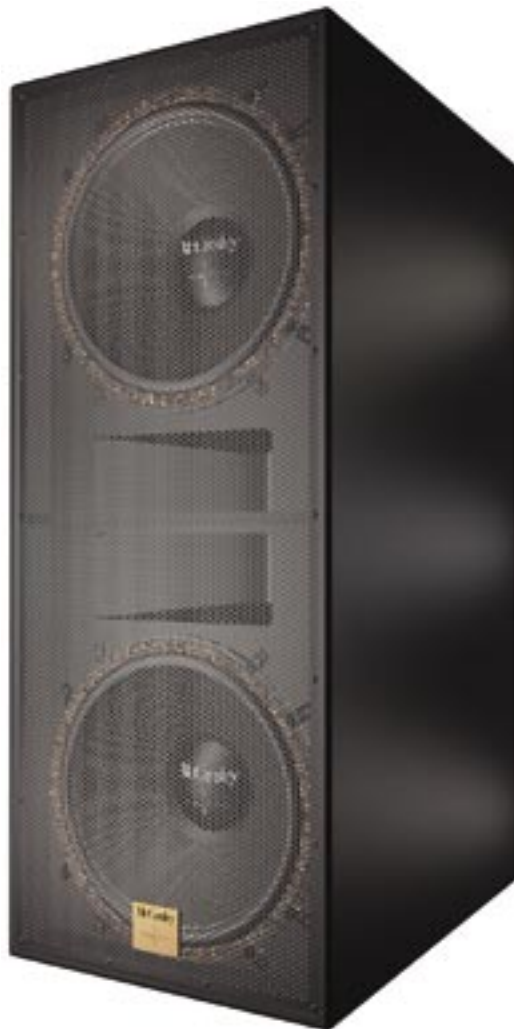
**McCauley Premium Class Componentry**  
**12 ply Dadoed Construction**  
**Durable ProCoat™ Elastomeric Finish**

## the idea behind it

The AC588 was designed as a true high performance subwoofer system for permanent installation. With a power rating of 1600w RMS this design lends itself to the most demanding applications, easily filling the performance space with exceptionally punchy sub bass energy. Its extraordinary acoustic quality and high power handling is a direct result of the implementation of McCauley's proprietary subwoofer technology, landing this system our highest performance category. This system integrates with other McCauley touring class products, offering consistent coverage and a uniform appearance.

## Applications:

**Stadiums & Arenas**  
**Dance Club Sound**

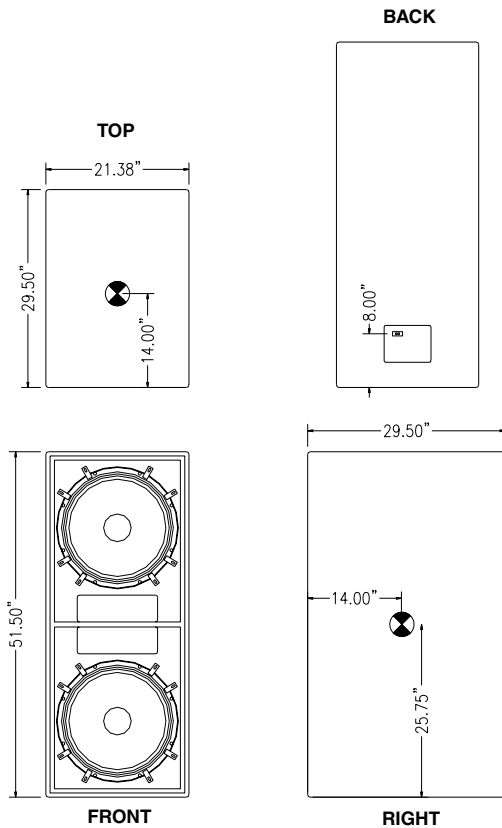


## performance parameters

## physical properties

<b>power handling</b>	<b>1600w RMS</b>	<b>weight</b>	<b>250lbs / 113kgs</b>
<b>frequency response</b>	<b>25Hz - 500Hz</b>	<b>dimensions</b>	<b>52H x 21W x 30D</b>
<b>nominal impedance</b>	<b>2Ω or 4Ω</b>	<small>inches</small>	<b>131H x 54W x 75D</b>
<b>sensitivity</b>	<b>100db</b>	<small>centimeters</small>	<b>finish</b>
<small>(2.83v@4Ω, 2w, 1m)</small>	<b>97db</b>		<b>ProCoat™</b>
<small>(2.83v@2Ω, 4w, 1m)</small>		<b>enclosure material</b>	<b>5/8" 12-ply Finland Birch</b>
<b>maximum output SPL</b>		<b>construction</b>	<b>rabbet &amp; dadoed</b>
<small>Continuous</small>	<b>126db</b>	<b>suspension</b>	<b>none</b>
<small>Peak</small>	<b>132db</b>	<b>connectors</b>	<b>binding posts</b>
<b>recommended bandpass</b>	<b>20Hz / 180Hz</b>	<b>transducers</b>	<b>(2) 18"s</b>
		<b>recommended mid/high</b>	<b>AC522-2, AC622-2, AC52-2</b>

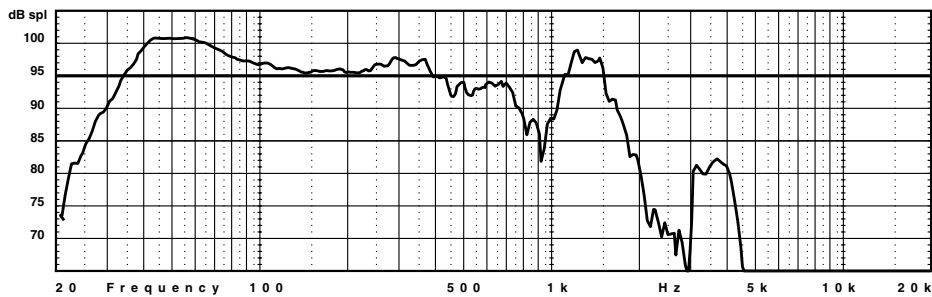
## dimensional illustrations



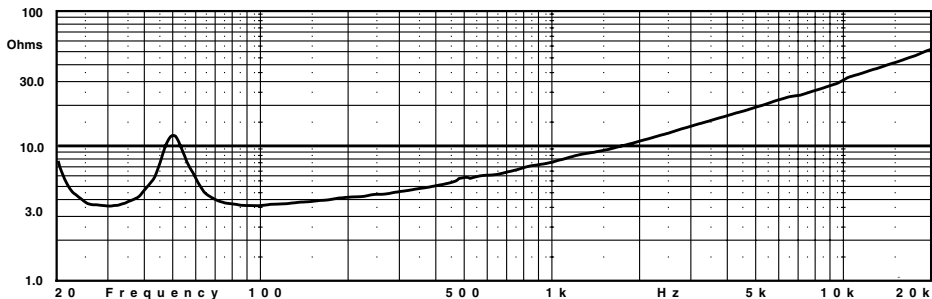
## architectural specifications

The loudspeaker shall be a sub-bass frequency type with two 18" drivers mounted in a bass reflex enclosure. The loudspeaker shall contain two ultra high excursion 18" Dual Channel Air Cooling drivers with a power handling capacity of 1600 watts RMS and 3200 watts peak and a sensitivity of 97 dB SPL measured at 1 meter with 2.83 volts into a nominal 4 ohm load. The loudspeaker system shall be capable of 126 dB SPL continuous and 132 dB SPL peak maximum output. The loudspeaker system shall have an effective operating range of 32 Hz to 400 Hz +/- 3 dB (26 Hz to 800Hz -10 dB). The enclosure shall weigh a total of 250 lbs. and shall measure 51.5 inches tall, 21.4 inches wide (15.2 inches at rear), 29.5 inches deep with a trapezoidal shape and the sides shall be angled at 5.6° from front to back. The enclosure shall be made of 12-ply birch hardwood and shall have a weather and wear resistant ProCoat™ elastomeric finish. Electrical connections shall be made via standard binding posts or barrier strips. The loudspeaker shall be the McCauley AC588.

## response data



on axis response (2.83v@1m, free-field conditions)



impedance curve