

AC58

product group: **Advanced Contractor's Series**
system type: **Direct Radiating XLF 18"**

construction

The AC58 is a high power handling subwoofer system in a computer optimized, rectangular, vented enclosure. Loudspeaker complement consists of a single high excursion sub-bass 18". The enclosure is constructed of durable 12-ply void-free birch laminate, dadoed for strength and durability. McCauley's rugged ProCoat™ elastomeric finish provides excellent weather protection and will resist scratches and scuffs. Binding posts are located on a recessed steel jack-panel on the back side of the enclosure. Perforated steel is employed for frontal protection of the loudspeaker complement.



Features:

- McCauley Premium Class Componentry**
- 12 ply Dadoed Construction**
- Durable ProCoat™ Elastomeric Finish**



the idea behind it

The AC58 was designed as a true high performance subwoofer system for demanding subwoofer installations. With a power rating of 800w RMS this design lends itself to the most demanding applications, easily filling the performance space with exceptionally punchy sub bass energy. Its extraordinary acoustic quality and high power handling is a direct result of the implementation of McCauley's proprietary subwoofer technology, landing this system our highest performance category. This system

integrates with other McCauley AC™ products, offering consistent coverage and a uniform appearance.

Applications:

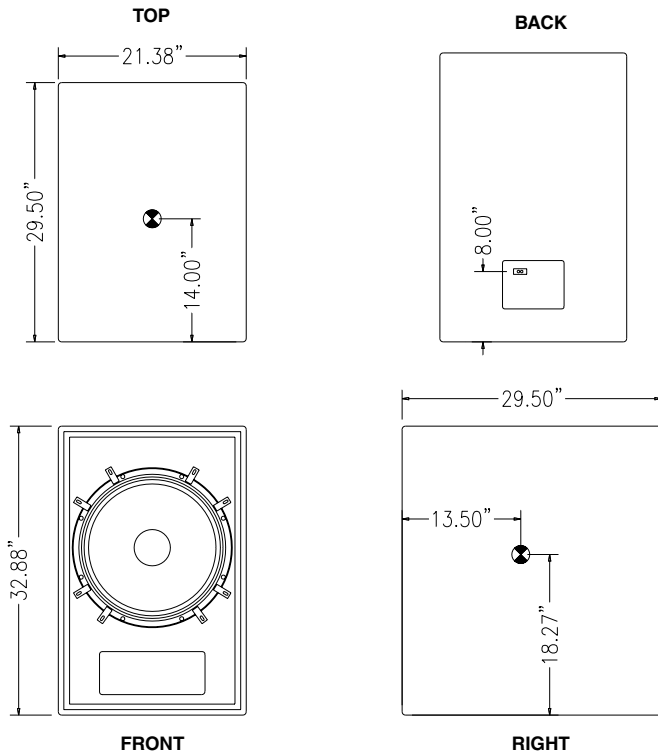
- Dance Club Sound**
- Live Club Installation**

performance parameters

physical properties

power handling	800w RMS	weight	165lbs / 78kgs
frequency response	25Hz - 500Hz	dimensions	33H x 21W x 30D
nominal impedance	4Ω or 8Ω	<small>inches</small>	84H x 53W x 76D
sensitivity	97db	<small>centimeters</small>	ProCoat™
<small>(2.83v@4Ω, 2w, 1m)</small>	94db	enclosure material	5/8" 12-ply Finland Birch
<small>(2.83v@8Ω, 4w, 1m)</small>		construction	rabbet & dadoed
maximum output SPL	126db	suspension	none
<small>Continuous</small>	132db	connectors	binding posts
<small>Peak</small>		transducers	(1)18"
recommended bandpass	20Hz / 180Hz	recommended mid/high	AC622-2, AC62-2, AC222-2

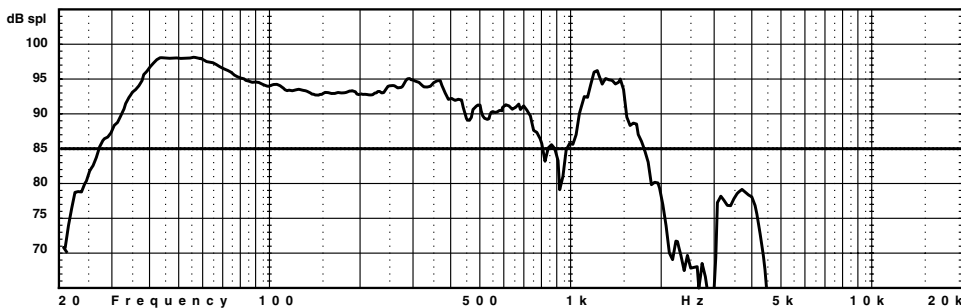
dimensional illustrations



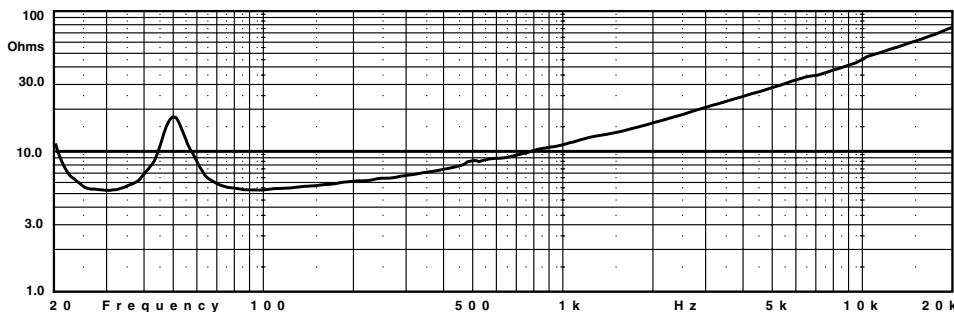
architectural specifications

The loudspeaker shall be a sub-bass frequency type with one 18" driver mounted in a bass reflex enclosure. The loudspeaker shall contain one ultra high excursion 18" Dual Channel Air Cooling driver with a power handling capacity of 800 watts RMS and 3200 watts peak and a sensitivity of 94 dB SPL measured at 1 meter with 2.83 volts into a nominal 8 ohm load. The loudspeaker system shall be capable of 123 dB SPL continuous and 129 dB SPL peak maximum output. The loudspeaker system shall have an effective operating range of 32 Hz to 400 Hz +/- 3 dB (26 Hz to 800Hz -10 dB). The enclosure shall weigh a total of 165 lbs. and shall measure 33 inches tall, 21.4 inches wide, 29.5 inches deep with a trapezoidal shape and the sides shall be angled at 5.6° from front to back. The enclosure shall be made of 12-ply birch hardwood and shall have a weather and wear resistant ProCoat™ elastomeric finish. The enclosure shall incorporate an integrated eyebolt suspension system. Electrical connections shall be made via standard binding posts or barrier strips. The loudspeaker shall be the McCauley AC58.

response data



on axis response (2.83v@1m, free-field conditions)



impedance curve