

AC222-2

product group: **Advanced Contractor's Series**
system type: **Dual Direct Radiating 12"s + 2" HFD**

construction

The AC222-2 is a 2-way mid/high system in a computer optimized, horizontal, rectangular enclosure. Loudspeaker complement consists of twin proprietary midrange 12"s, individually loaded into separate, ported sub-compartments, and a single 2" compression driver mounted on a 90°x40° horn. A factory optimized internal crossover is installed to ensure balanced output between the HF and LF components. The enclosure is constructed of durable 12-ply void-free birch laminate, dadoed for strength and durability. Integrated eyebolt receptacles are located on the top to facilitate installation. Perforated steel is employed for frontal protection of the loudspeaker complement.



Features:

- Factory-Optimized Internal Crossover
- McCauley Performance Class Componentry
- Integrated Eyebolt Suspension
- 9 ply Dadoed Construction
- Durable ProCoat™ Elastomeric Finish



Flyware



Rectangular

OPTIONAL:



Available without Crossover

the idea behind it

The AC222-2 was designed as multipurpose, dedicated mid /high range system for medium to large scale installations. Eyebolt receptacles allow easy horizontal installation. This system integrates with other McCauley SA™ and AC™ products, offering consistent coverage and a uniform appearance.

Applications:

- Live Club Installation
- Dance Club Sound
- House of Worship

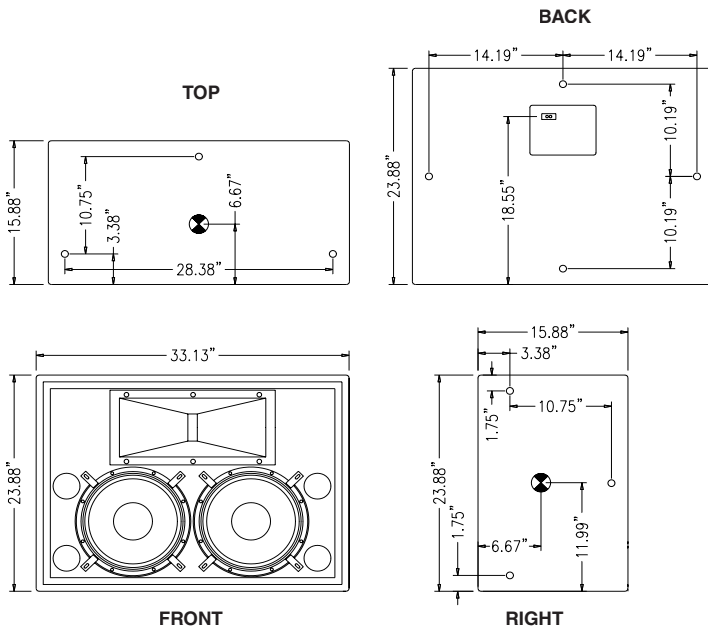
performance parameters

AES power handling	750w RMS
frequency response	70Hz - 16kHz
nominal impedance	
Mid	4Ω
High	16Ω
sensitivity	
Mid	102db
High	115db
maximum output SPL	
Continuous	132db
Peak	138db
recommended crossover	80Hz / 1kHz
directivity/coverage	90°x40° (HxV)

physical properties

weight	148lbs / 67kgs
dimensions	
inches	24H x 33W x 16D
centimeters	61H x 84W x 41D
finish	ProCoat™
enclosure material	5/8" 12-ply
construction	rabbet & dadoed
suspension	integrated eyebolt
connectors	binding posts
transducers	(2) 12" Midrange (1) 2" HF Driver
recommended subwoofer	AC188, AC155, AC288

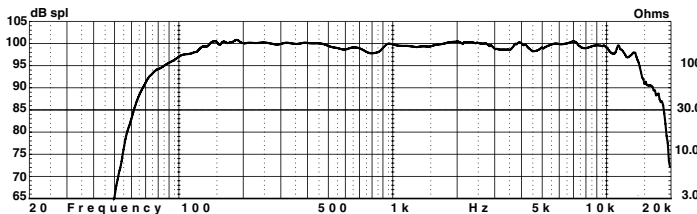
dimensional illustrations



architectural specifications

The loudspeaker shall be a high/mid two-way type. It shall comprise of two low/mid 12" McCauley transducers and one high frequency ClearFiber™ horn flare utilizing a 2" throat McCauley compression driver. The 12" low/mid transducers shall incorporate low distortion carbon fiber cone technology and the "Focused Field" removable magnet structure design. They shall have a combined power capacity of 600 watts RMS and 1200 watts peak and a sensitivity of 102 dB measured at 1 meter with 2.83 volts into a nominal 4 ohm load. The high frequency driver shall incorporate a titanium diaphragm with a power handling capacity of 150 watts RMS above 1.5kHz and a sensitivity of 115 dB measured at 1 meter with 2.83 volts into a nominal 16 ohm load. The combined loudspeaker system shall be capable of 132 dB SPL continuous and 138 dB SPL peak maximum output. The loudspeaker system shall have an effective operating range of 100 Hz to 12 kHz +/- 3 dB (70Hz to 16 kHz - 10 dB). The loudspeaker shall offer nominal coverage angles of 90o horizontal, and 40o vertical. The loudspeaker shall have built in 3/8 inch 'eye bolt' points to allow ceiling suspension. The loudspeaker shall weigh a total of 148 lbs. and shall measure 24 inches tall, 33 inches wide, and 16 inches in depth. The AC222-2 enclosure shall be constructed of 12-ply void-free birch hardwood and shall have a weather and wear resistant ProCoat™ elastomeric finish. Electrical connections shall be made via standard binding posts or barrier strips. The loudspeaker shall be the McCauley AC222-2.

response data



on axis response (2.83v@1m, free-field conditions)

off axis response (normalized to on axis response)

polar data

Outer ring is +6dB, each ring represents an additional -6dB down.
For vertical plots, 90° represents the top of an enclosure, 270° is the bottom.

P E N D I N G