

AC22

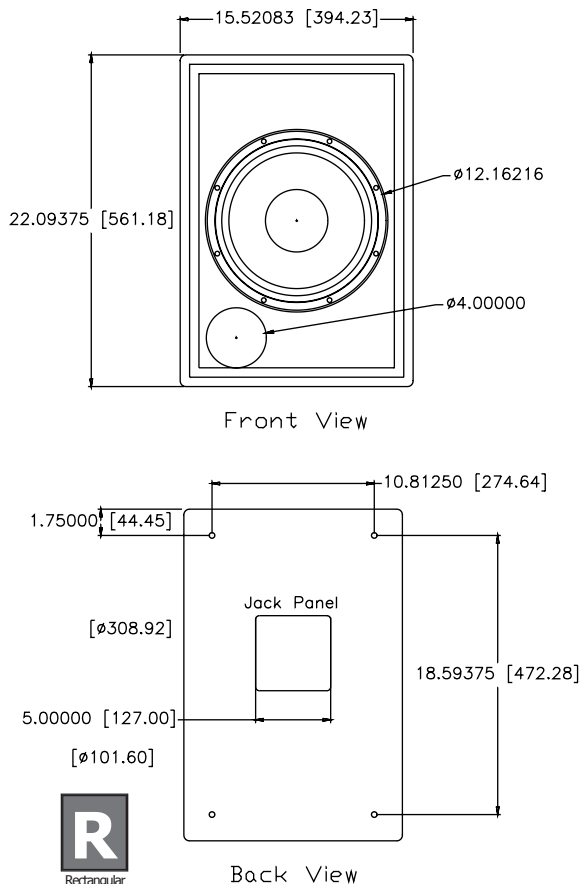
product group: **Advanced Contractor's Series**
 system type: **Single Ported LF 12"**

construction

The AC22 is a dedicated LF / subwoofer system in a rectangular, computer optimized enclosure. Loudspeaker complement consists of a single 12" LF woofer loaded into a ported sub-enclosure. The entire enclosure is constructed of durable 12-ply void-free birch laminate, dadoed for strength and durability. McCauley's rugged ProCoat™ elastomeric finish provides excellent weather protection and will resist scratches and scuffs. Binding posts are located on a recessed steel jack-panel on the back side of the enclosure. Perforated steel is employed for frontal protection of the loudspeaker complement.

Features:

- McCauley Performance Class Componentry**
- 12 ply Dadoed Construction**
- Durable ProCoat™ Elastomeric Finish**



the idea behind it

The AC22 was designed as multipurpose, dedicated low frequency/bass "workhorse" system for medium to large scale sound installations. The AC22 offers high quality bass output in a manageable, durable enclosure. This system also integrates easily with other McCauley AC™ and SA™ products, offering consistent coverage and a uniform appearance.

Applications:

- House of Worship**
- Dance Club Sound**
- Live Club Installation**
- Restaurant & Bar**

performance parameters

power handling	350w RMS
frequency response	35Hz - 500Hz
nominal impedance	8Ω
sensitivity (2.83v@4Ω, 2w, 1m) (2.83v@8Ω, 4w, 1m)	104db 99db
maximum output SPL Continuous Peak	126db 132db

physical properties

weight	40lbs / 19kgs
dimensions inches	22H x 15.5W x 12D
finish	ProCoat™
enclosure material	5/8" 12-ply
construction	rabbet & dadoed
suspension	none
connectors	binding posts
transducers	(1)12"

