

AC15-1

product group: **Advanced Contractor's Series**
system type: **Direct Radiating 15" + 1" HFD**

construction

The AC15-1 is a 2-way full range system in a trapezoidal, computer optimized enclosure. Loudspeaker complement consists of an 15" LF woofer in a ported sub-enclosure, and a single 1" compression driver mounted on a 90°x40° horn. A factory optimized internal crossover is installed to ensure balanced output between the HF and LF components. The enclosure is constructed of durable 12-ply void-free birch laminate, dadoed for strength and durability. Integrated eyebolt receptacles are located on the top of the system to facilitate a vertical installation. Perforated steel is employed for frontal protection of the loudspeaker complement.

Features:

Factory-Optimized Internal Crossover
Integrated Eyebolt Suspension
McCauley Performance Class Componentry
9 ply Dadoed Construction
Durable ProCoat™ Elastomeric Finish



the idea behind it

The AC15-1 was designed as dedicated full range system for installation in medium to large scale environments. Eyebolt receptacles permit easy vertical installation. Use an optional AC18 subwoofer for extra low frequency impact. This system integrates with other McCauley AC™ and SA™ products, offering consistent coverage and a uniform appearance.

Applications:

House of Worship
Dance Club Sound
Live Club Installation
Auditoriums & Gymnasium

performance parameters

power handling	450w RMS
frequency response	40Hz - 20kHz
nominal impedance	8Ω
Low	16Ω
High	
sensitivity	98db
Low	111db
High	
maximum output SPL	129db
Continuous	135db
Peak	
directivity/coverage	90°x40° (HxV)

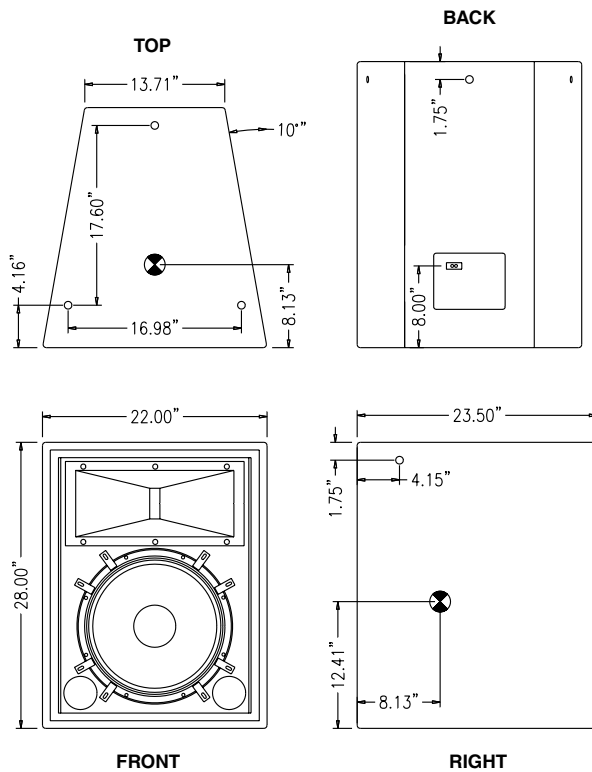
physical properties

weight	100lbs / 45kgs
dimensions	28H x 22W x 24D
inches	71H x 56W x 61D
centimeters	
finish	ProCoat™
enclosure material	5/8" 12-ply
construction	rabbet & dadoed
suspension	integrated eyebolt
connectors	binding posts
transducers	(1) 15" LF (1) 1" HF Driver
recommended subwoofer	AC18, AC28

technical specifications

AC15-1
2-WAY FULL RANGE CONTRACTOR

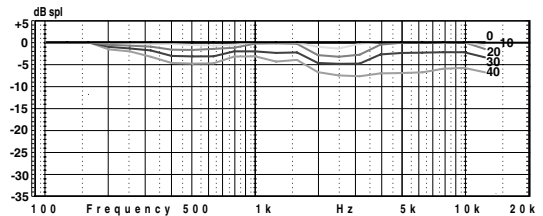
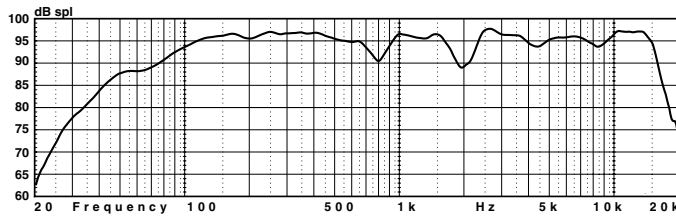
dimensional illustrations



architectural specifications

The loudspeaker shall be a two-way type with one 15" low frequency driver mounted in a bass reflex enclosure and one high frequency ClearFibertm horn flare utilizing a 1" throat compression driver. The low frequency section shall contain one 15" "Focused Field" driver with a power handling capacity of 350 watts RMS and shall have a sensitivity of 98 dB SPL measured at 1 meter with 2.83 volts into a nominal 8 ohm load. The high frequency section shall consist of one 1" exit compression driver and horn combination with a power handling capacity of 100 watts RMS and a sensitivity of 111 dB SPL measured at 1 meter with 2.83 volts into a nominal 16 ohm load. The combined loudspeaker system shall be capable of 129 dB SPL continuous and 132 dB SPL peak maximum output. The loudspeaker system shall have an effective operating range of 50 Hz to 17 kHz +/- 3 dB (40Hz to 20 kHz -10 dB). The loudspeaker shall offer coverage angles of 90o Horizontal, and 40o Vertical. The enclosure shall weigh a total of 85 lbs. and shall measure 28 inches tall, 22 inches wide (13.5 inches at rear) and 24 inches in depth. The enclosure sides shall be angled at 10o from front to back forming a trapezoidal shape. The enclosure shall be made of 12-ply void-free birch hardwood and shall have a weather and wear resistant ProCoat™ elastomeric finish. The loudspeaker shall have built in 3/8 inch 'eye bolt' points to allow ceiling suspension. Electrical connections shall be made via standard binding posts or barrier strips. An optimized passive crossover network shall be switchable between full range and biamp modes. The loudspeaker shall be the McCauley AC15-1.

response data



polar data

Outer ring is +6dB, each ring represents an additional -6dB down. For vertical plots, 90° represents the top of an enclosure, 270° is the bottom.

