

AC10-1

product group: **Advanced Contractor's Series**
system type: **Direct Radiating 10" + 1" HFD**

construction

The AC10-1 is a 2-way full range system in a trapezoidal, computer optimized enclosure. Loudspeaker complement consists of an 10" LF woofer in a ported sub-enclosure, and a single 1" compression driver mounted on a 80°x90° rotatable waveguide. A factory optimized internal crossover is installed to ensure balanced output between the HF and LF components. The enclosure is constructed of durable 12-ply void-free birch laminate, dadoed for strength and durability. Integrated eyebolt receptacles are located on the top and sides to facilitate installation. Perforated steel is employed for frontal protection of the loudspeaker complement.

Features:

- Factory-Optimized Internal Crossover**
- McCauley Performance Class Componentry**
- Integrated Eyebolt Suspension**
- 9 ply Dadoed Construction**
- Durable ProCoat™ Elastomeric Finish**



the idea behind it

The AC10-1 was designed as a compact, multi-purpose, dedicated full range system for installation in small to medium sized venues. Eyebolt receptacles allow easy vertical installation. Use an optional AC15 subwoofer for extra low frequency impact. This system integrates with other McCauley SA™ and AC™ products, offering consistent coverage and a uniform appearance.

Applications:

- House of Worship**
- Restaurant & Bar**
- Live Club Installation**
- Auditoriums & Gymnasium**

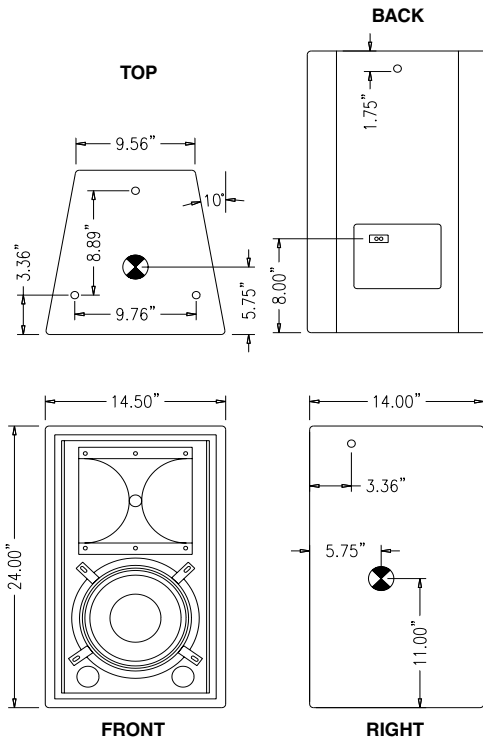
performance parameters

power handling	400w RMS
frequency response	50Hz - 20kHz
nominal impedance	8Ω
Low	16Ω
High	
sensitivity	94db
Low	109db
High	
maximum output SPL	127db
Continuous	131db
Peak	
directivity/coverage	90°x80° (HxV)

physical properties

weight	62lbs / 28kgs
dimensions	24H x 15W x 14D
inches	61H x 37W x 35D
centimeters	
finish	ProCoat™
enclosure material	3/4" 9-ply
construction	rabbet & dadoed
suspension	integrated eyebolt
connectors	binding posts
transducers	(1) 10" LF
	(1) 1" HF Driver
recommended subwoofer	AC15, AC18

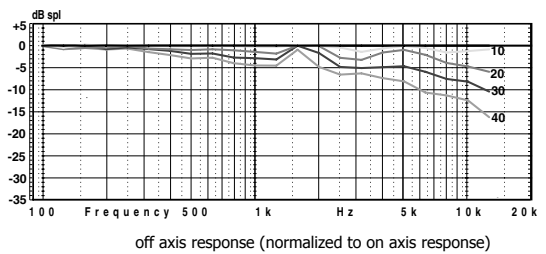
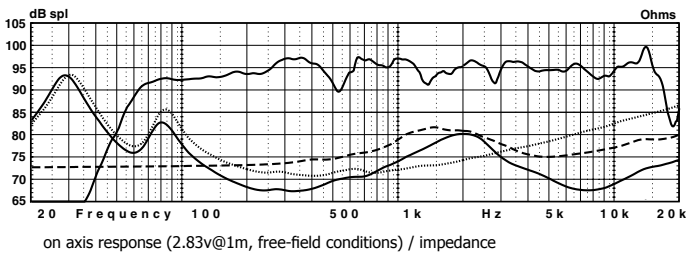
dimensional illustrations



architectural specifications

The loudspeaker shall be a two-way type with one 10" low frequency driver mounted in a bass reflex enclosure and one high frequency horn flare utilizing a 1" throat compression driver. The low frequency section shall contain one 10" "Focused Field" driver with a power handling capacity of 350 watts RMS and shall have a sensitivity of 94 dB SPL measured at 1 meter with 2.83 volts into a nominal 8-ohm load. The high frequency section shall consist of one 1" exit compression driver and horn combination with a power handling capacity of 100 watts RMS and a sensitivity of 109 dB SPL measured at 1 meter with 2.83 volts into a nominal 16 ohm load. The combined loudspeaker system shall be capable of 127dB SPL continuous and 131 dB SPL peak maximum output. The loudspeaker system shall have an effective operating range of 70 Hz to 17 kHz +/- 3 dB (50Hz to 20 kHz -10 dB). The loudspeaker shall offer coverage angles of 90o Horizontal, and 80o Vertical. The enclosure shall weigh a total of 62 lbs. and shall measure 24 inches tall, 14.5 inches wide (9.5 inches at rear) and 14 inches in depth. The enclosure sides shall be angled at 10o from front to back forming a trapezoidal shape. The enclosure shall be made of 12-ply void-free birch hardwood and shall have a weather and wear resistant ProCoat™ elastomeric finish. The loudspeaker shall have built in 3/8 inch 'eye bolt' points to allow ceiling suspension. Electrical connections shall be made via standard binding posts or barrier strips. An optimized passive crossover network shall be switchable between full range and bi-amp modes. The loudspeaker shall be the McCauley AC10-1.

response data



polar data

Outer ring is +6dB, each ring represents an additional -6dB down.
For vertical plots, 90° represents the top of an enclosure, 270° is the bottom.

