

EA688

product group: **EagleArray Touring Class (FLYING)**
 system type: **Dual 18" Trapezoidal**

construction

The EA688 is a high power handling subwoofer system in a computer optimized, vented enclosure. Loudspeaker complement consists of twin high excursion sub-bass 18"s. The enclosure is constructed of durable 12-ply void-free birch laminate, dadoed for strength and durability. Each component is loaded into its own optimized sub-enclosure. The EA688 is configured with "steel" handles and permanent ProTrack flyware for easy rigging, perforated steel is employed for frontal protection of the loudspeaker complement.

Features:

- ProTrack™ Flyware System**
- McCauley Premium Class Componentry**
- 12 ply Dadoed Construction**
- Durable ProCoat™ Elastomeric Finish**

the idea behind it

The EA688 was designed as a true high performance subwoofer system for professional touring arrays. Optional removable castor pallets are available to facilitate load-in's/out's. With a power rating of 1600w RMS this design lends itself to the most demanding applications, easily filling the performance space with exceptionally punchy sub bass energy. Its extraordinary acoustic quality and high power handling is a direct result of the implementation of McCauley's proprietary subwoofer technology, landing this system our highest performance category. This system integrates with other McCauley touring class products, offering consistent coverage and a uniform appearance.

Applications:

- Concert Tours**
- Outdoors Event Sound**

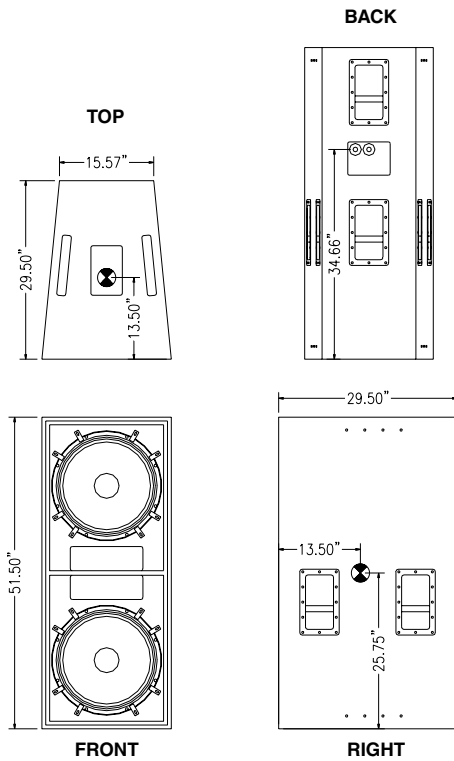


performance parameters

physical properties

power handling	1600w RMS	weight	250lbs / 113kgs
frequency response	25Hz - 500Hz	dimensions inches	52H x 21w x 30D
nominal impedance	2Ω or 4Ω	centimeters	132H x 53w x 76D
sensitivity (2.83v@4Ω, 2w, 1m) (2.83v@2Ω, 4w, 1m)	100db 97db	finish	ProCoat™
maximum output SPL Continuous	126db	enclosure material	5/8" 12-ply Finland Birch
Peak	132db	construction	rabbet & dadoed
recommended bandpass	20Hz / 180Hz	suspension	multi-point ProTrack™
		connectors	parallel NL8
		transducers	(2) 18"’s
		recommended mid/high	EA622-2, EA62-2

dimensional illustrations



architectural specifications

The loudspeaker shall be a sub-bass frequency type with two 18" drivers mounted in a bass reflex enclosure. The loudspeaker shall contain two ultra high excursion 18" Dual Channel Air Cooling drivers with a power handling capacity of 1600 watts RMS and 6400 watts peak and a sensitivity of 97 dB SPL measured at 1 meter with 2.83 volts into a nominal 4 ohm load. The loudspeaker system shall be capable of 126 dB SPL continuous and 132 dB SPL peak maximum output. The loudspeaker system shall have an effective operating range of 32 Hz to 400 Hz +/- 3 dB (25Hz to 800Hz -10 dB). The enclosure shall weigh a total of 250 lbs. and shall measure 51.5 inches tall, 21.4 inches wide (15.2 inches at rear), 29.5 inches deep with a trapezoidal shape and the sides shall be angled at 5.6° from front to back. The enclosure shall be made of 12-ply birch hardwood and shall have a weather and wear resistant ProCoat™ elastomeric finish. The enclosure shall incorporate 10 position industry standard ProTrack™ flyware rigging points, two each top and bottom. Electrical connections shall be made via paralleled NL-8 connectors. The loudspeaker shall be the McCauley EA688.

response data

