

SM12-1

product group: **Stage Monitor**
system type: **Direct Radiating 12" LF + 1" HF**

construction

The SM12-1 is a full range, 2-way stage / floor monitor system in a computer optimized enclosure. Loudspeaker complement consists of a single 12" LF woofer in a ported sub-enclosure, and 1" compression driver mounted to a 60° conical waveguide. An optimized switchable biamp to passive crossover network is included standard. The enclosure is constructed of durable 12-ply void-free birch laminate, dadoed for strength and durability. Perforated steel is employed for frontal protection of the loudspeaker complement.



Features:

- McCauley Performance Class Componentry**
- Switchable Passive to Biamp Crossover**
- 12 ply Dadoed Construction**
- Durable ProCoat™ Elastomeric Finish**



the idea behind it

The SM12-1 was designed as a multipurpose full range monitoring system for professional touring and other staging applications. Its pentagonal profile offers 2 usable positioning angles for monitoring, while the system can also be stood upright to double as full range P.A. A switchable passive to biamp crossover is included for easy configuration.

Applications:

- Stage / Rehearsal Monitor**
- Multipurpose P.A**

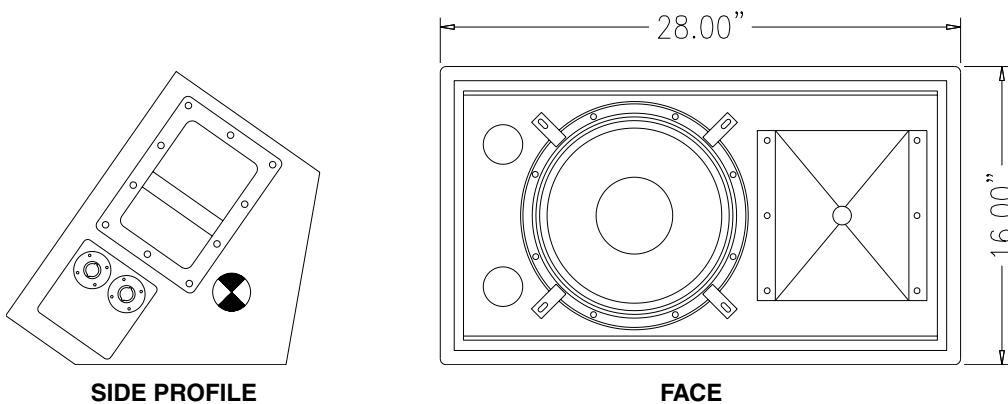
performance parameters physical properties

power handling	350w	weight	78lbs / 35kgs
frequency response	50Hz - 20kHz	dimensions	
		inches	15H x 14W x 12D
nominal impedance		centimeters	38H x 36W x 31D
Low	8Ω	finish	ProCoat™
High	16Ω	enclosure material	5/8" 12-ply
sensitivity		construction	rabbet & dadoed
Low	97db	suspension	none
High	108db	connectors	parallel NL4
maximum output SPL		transducers	(1) 12" LF
Continuous	122.5db		(1) 1" HF Driver
Peak	134db		
recommended crossover	1.2kHz		
directivity/coverage	60°x60° (HxV)		

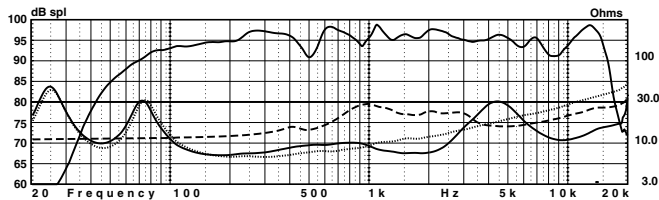
architectural specifications

The loudspeaker shall be a two-way stage monitor type type with one 12" low frequency driver mounted in a bass reflex enclosure and one high frequency horn flare utilizing a 1" throat compression driver. The low frequency section shall contain one 12" "Focused Field" driver with a power handling capacity of 350 watts RMS and shall have a sensitivity of 97 dB SPL measured at 1 meter with 2.83 volts into a nominal 8 ohm load. The high frequency section shall consist of one 1" exit compression driver and horn combination with a power handling capacity of 100 watts RMS and a sensitivity of 108 dB SPL measured at 1 meter with 2.83 volts into a nominal 16 ohm load. The combined loudspeaker system shall be capable of 122.5 dB SPL continuous and 134 dB SPL peak maximum output. The loudspeaker system shall have an effective operating range of 60 Hz to 17 kHz +/- 3 dB (50Hz to 20 kHz -10 dB). The loudspeaker shall offer coverage angles of 60° Horizontal, and 60° Vertical. The enclosure shall weigh a total of 78 lbs. and shall measure 28 inches tall, 16 inches wide and 14 inches in depth. The enclosure shall have a 35-degree and 65-degree angle fixed angle bottom. The enclosure shall be made of 12-ply void-free birch hardwood and shall have a weather and wear resistant ProCoat™ elastomeric finish. The enclosure shall incorporate one steel handle for easy mobility. Electrical connections shall be made via paralleled Neutrik NL-4 connectors, or optional NL-8 or EP series connectors. An optimized passive crossover network shall be switchable between full range and biamp modes. The loudspeaker shall be the McCauley SM12-1.

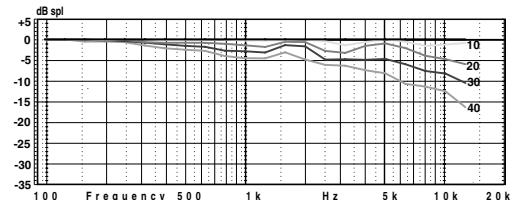
dimensional illustrations



response data



on axis response (2.83V@1m, free-field conditions)



off axis response (normalized to on axis response)

polar data

Outer ring is +6dB, each ring represents an additional -6dB down.
For vertical plots, 90° represents the top of an enclosure, 270° is the bottom.

