

SA255

product group: **Stage Performance (GROUNDSTACK)**
 system type: **Dual Direct Radiating LF 15"s**

A construction

The SA255 is a dedicated LF / subwoofer system in a rectangular, horizontal, computer optimized enclosure. Loudspeaker complement consists of a twin 15" LF woofers separately loaded into individual, vented sub-enclosures. The entire enclosure is constructed of durable 12-ply void-free birch laminate, dadoed for strength and durability. Handles are balance-optimized to facilitate transportation. Perforated steel is employed for frontal protection of the loudspeaker complement.



Features:

McCauley Performance Class Componentry
9 ply Dadoed Construction
Durable ProCoat™ Elastomeric Finish



💡 the idea behind it

The SA255 was designed as multipurpose, dedicated low frequency / bass "workhorse" system for medium to large scale sound reinforcement duty. Its durable construction and reliable performance make this system an excellent choice for pro sound companies. The SA255 offers high quality bass output in a manageable, durable enclosure. This system also integrates easily with other McCauley SA™ products, offering consistent

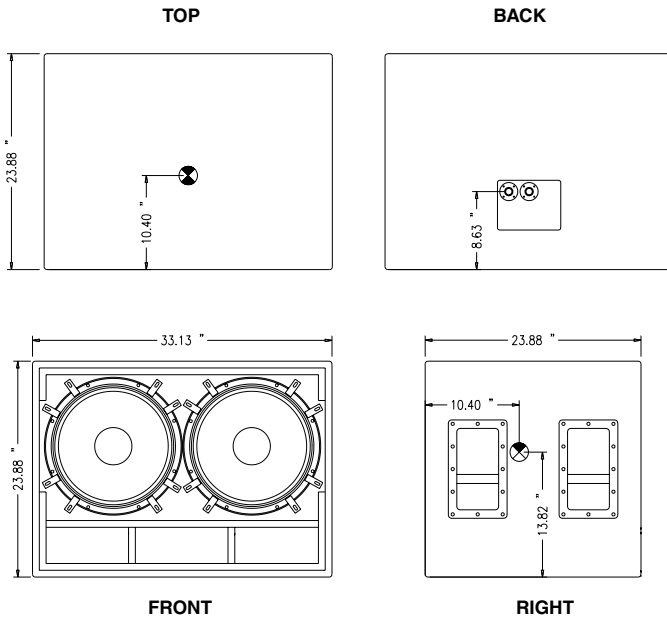
coverage and a uniform appearance.

Applications:

Live Performance Venues
Multipurpose Rental P.A.
Fairgrounds

performance parameters		physical properties	
power handling	900w RMS	weight	140lbs / 64kgs
frequency response	35Hz - 800Hz	dimensions	24H x 33W x 24D
nominal impedance	4Ω	<small>inches</small>	61H x 84W x 61D
sensitivity	102db	<small>centimeters</small>	finish
<small>(2.83v@4Ω, 1w, 1m)</small>		enclosure material	ProCoat™
maximum output SPL	130db	construction	5/8" 12-ply
<small>Continuous</small>	136db	suspension	rabbet & dadoed
<small>Peak</small>		connectors	parallel NL4
recommended bandpass	20Hz / 180Hz	transducers	(2) 15"s
		recommended mid/high	SA222-2, SA122-2

dimensional illustrations



architectural specifications

The loudspeaker shall be a low frequency bass reflex enclosure. It shall comprise of two low frequency McCauley 15" transducers. The 15" transducer shall utilize the "Focused Field" removable magnet structure design. The loudspeaker shall have a power capacity of 900 watts RMS and 1800 watts peak and a sensitivity of 102 dB measured at 1 meter with 2.83 volts into a nominal 4 ohm load. The loudspeaker shall be capable of 132 dB SPL continuous and 138 dB SPL peak maximum output. The loudspeaker system shall have an effective operating range of 40 Hz to 800 Hz +/- 3 dB (35 Hz to 800 Hz - 10 dB). The loudspeaker shall weigh a total of 120 lbs. and shall measure 24 inches tall, 33 inches wide and 24 inches in depth. The enclosure shall incorporate one steel handle on each side for easy mobility. Electrical connections shall be made via paralleled Neutrik NL-4 connectors, or optional NL-8 or EP series connectors. The enclosure shall be constructed of 12-ply void-free birch hardwood and shall have a weather and wear resistant ProCoat™ elastomeric finish. The loudspeaker shall be the McCauley SA255.

response data

