

# SA15-1

product group: **Stage Performance (GROUNDSTACK)**  
system type: **Direct Radiating 15" + 1" HFD**

## construction

The SA15-1 is a 2-way full range system in a trapezoidal, computer optimized enclosure. Loudspeaker complement consists of an 15" LF woofer in a ported sub-enclosure, and a single 1" compression driver mounted on a 90°x40° horn. The enclosure is constructed of durable 12-ply void-free birch laminate, dadoed for strength and durability. Handles are balance-optimized to facilitate transportation. Perforated steel is employed for frontal protection of the loudspeaker complement.

### Features:

- Switchable Passive to Biamp Crossover
- McCauley Performance Class Componentry
- 9 ply Dadoed Construction
- Durable ProCoat™ Elastomeric Finish



## the idea behind it

The SA15-1 was designed as multipurpose, dedicated full range system for small to medium scale sound reinforcement. Used singly, or in pairs, this system offers high quality, high SPL sound in a manageable, durable package. Use an optional SA18 subwoofer for extra low frequency impact. This system integrates with other McCauley SA™ products, offering consistent coverage and a uniform appearance.

### Applications:

- Auditoriums
- Corporate / Seminar
- Multipurpose Rental P.A.
- Rehearsal P.A.

### performance parameters

<b>power handling</b>	<b>500w RMS</b>
<b>frequency response</b>	<b>40Hz - 20kHz</b>
<b>nominal impedance</b>	
Low	<b>8Ω</b>
High	<b>16Ω</b>
<b>sensitivity</b>	
Low	<b>98db</b>
High	<b>111db</b>
<b>maximum output SPL</b>	
Continuous	<b>129db</b>
Peak	<b>135db</b>
<b>directivity/coverage</b>	<b>90°x40° (HxV)</b>

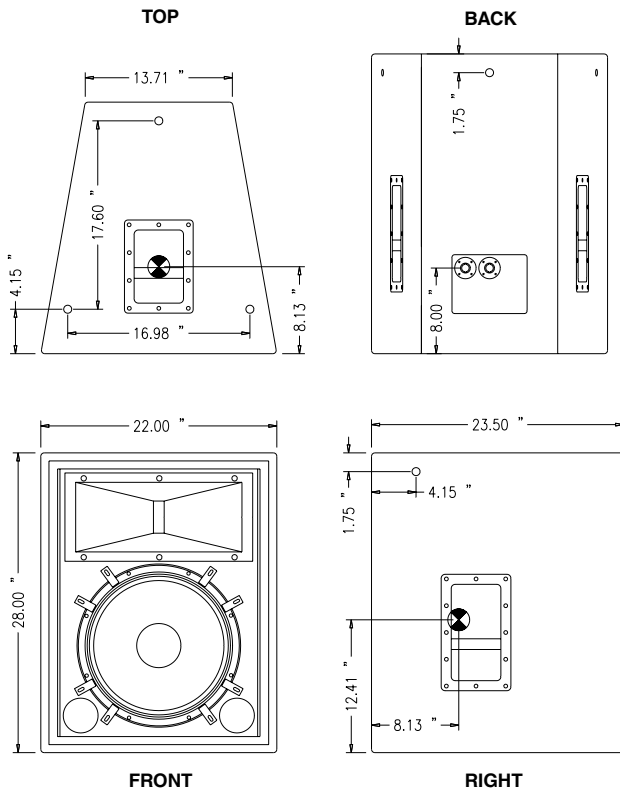
### physical properties

<b>weight</b>	<b>100lbs / 45kgs</b>
<b>dimensions</b>	
inches	<b>28H x 22W x 24D</b>
centimeters	<b>71H x 56W x 61D</b>
<b>finish</b>	<b>ProCoat™</b>
<b>enclosure material</b>	<b>5/8" 12-ply</b>
<b>construction</b>	<b>rabbet &amp; dadoed</b>
<b>suspension</b>	<b>none</b>
<b>connectors</b>	<b>parallel NL4</b>
<b>transducers</b>	<b>(1) 15" LF (1) 1" HF Driver</b>
<b>recommended subwoofer</b>	<b>SA15, SA18, SA28</b>

# technical specifications

**SA15-1**  
2-WAY FULL RANGE STAGE

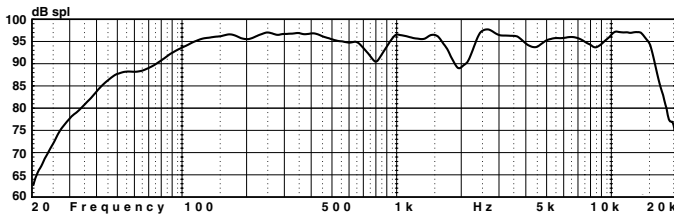
## dimensional illustrations



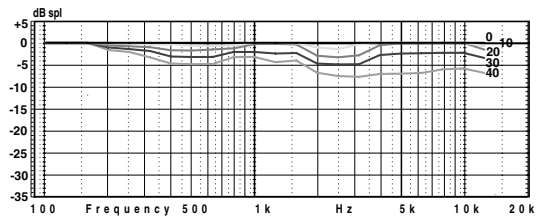
## architectural specifications

The loudspeaker shall be a two-way type with one 15" low frequency driver mounted in a bass reflex enclosure and one high frequency ClearFiber™ horn flare utilizing a 1" throat compression driver. The low frequency section shall contain one 15" "Focused Field" driver with a power handling capacity of 350 watts RMS and shall have a sensitivity of 98 dB SPL measured at 1 meter with 2.83 volts into a nominal 8 ohm load. The high frequency section shall consist of one 1" exit compression driver and horn combination with a power handling capacity of 100 watts RMS and a sensitivity of 111 dB SPL measured at 1 meter with 2.83 volts into a nominal 16 ohm load. The combined loudspeaker system shall be capable of 129 dB SPL continuous and 132 dB SPL peak maximum output. The loudspeaker system shall have an effective operating range of 50 Hz to 17 kHz +/- 3 dB (40Hz to 20 kHz -10 dB). The loudspeaker shall offer coverage angles of 90° Horizontal, and 40° Vertical. The enclosure shall weigh a total of 100 lbs. and shall measure 28 inches tall, 22 inches wide (13.5 inches at rear) and 24 inches in depth. The enclosure sides shall be angled at 10° from front to back forming a trapezoidal shape. The enclosure shall be made of 12-ply void-free birch hardwood and shall have a weather and wear resistant ProCoat™ elastomeric finish. The enclosure shall incorporate one steel handle on each side, and one on the top for easy mobility. Electrical connections shall be made via paralleled Neutrik NL-4 connectors, or optional NL-8 or EP series connectors. An optimized passive crossover network shall be switchable between full range and biamp modes. The loudspeaker shall be the McCauley SA15-1.

## response data



on axis response (2.83v@1m, free-field conditions)



off axis response (normalized to on axis response)

## polar data

Outer ring is +6dB, each ring represents an additional -6dB down. For vertical plots, 90° represents the top of an enclosure, 270° is the bottom.

