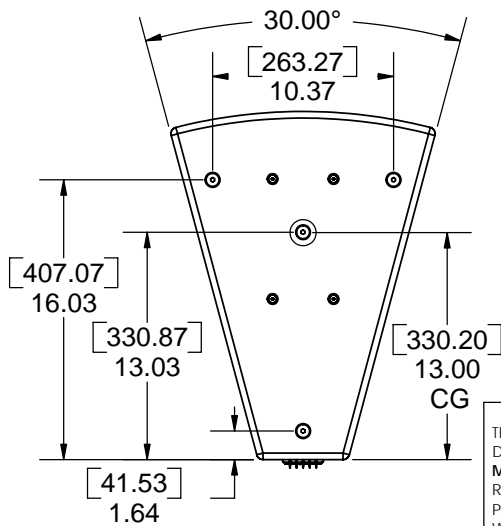
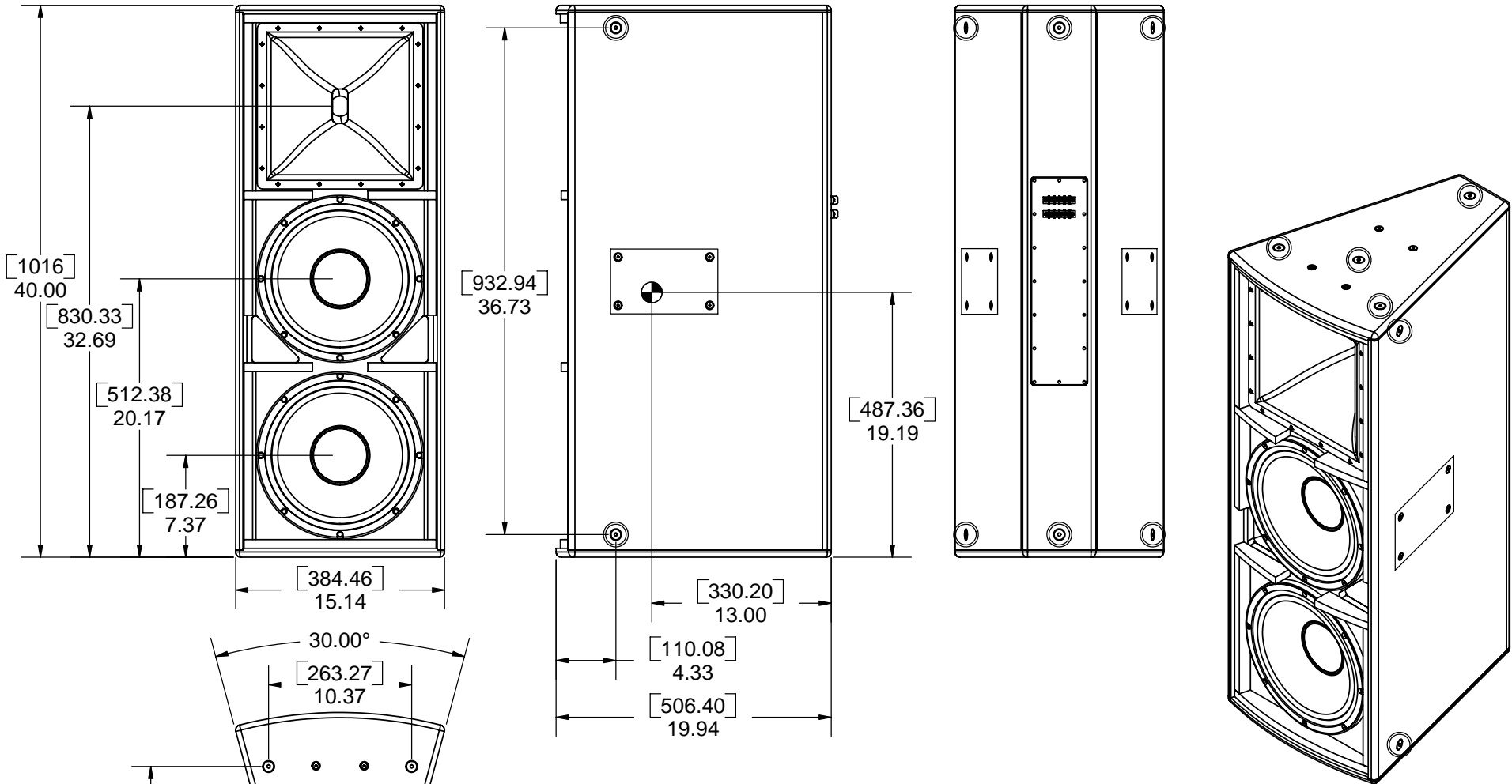


**NOTES:**

- A. CABINET WEIGHT 106 LBS [ 48.18 KG ]
- B. SHIPPING WEIGHT 112 LBS [ 50.91 KG ]

		REVISIONS			
ZONE	REV.	DESCRIPTION	DATE	APPROVED	



**PROPRIETARY AND CONFIDENTIAL**  
 THE INFORMATION CONTAINED IN THIS DRAWING IS THE SOLE PROPERTY OF McCauley Sound Inc. ANY REPRODUCTION OF SAID PRODUCT, IN PART OR AS A WHOLE WITHOUT THE WRITTEN PERMISSION OF McCauley Sound Inc. IS PROHIBITED.

PRIMARY UNITS US CUSTOMARY  
 SECONDARY UNITS SI  
 TOLERANCES:  
 LINEAR: ±0.125" UCS, ±3.17E-3 m SI  
 ANGULAR: ±1°  
 BEND ±5°  
 WEIGHT: ±0.1lb UCS, BY MASS ±0.045kg SI

STANDARD FINISH  
**Black ProCoat**

OPTIONAL FINISHES  
**White**

ORDERING OPTIONS  
 P, PW, W

	NAME	DATE
DRAWN	RM	071706
CHECKED	RM	071706

Denotes Center of gravity  
 5/18 X 18 T-NUT FOR 120 SERIES OMNI MOUNT  
 3/8 X 18 FLY POINT

DRAWING NOT TO SCALE

**McCauley Sound Inc.**  
 16607 Meridian Ave E  
 Puyallup, WA 98375  
 (ph 253-848-0363) (fax 253-841-3050)  
[www.mccauleysound.com](http://www.mccauleysound.com)  
[www.linearray.com](http://www.linearray.com)

SIZE	ID4.212-64	REV.	1
------	------------	------	---