

# SA15

**product group:** Stage Performance (GROUNDSTACK)  
**system type:** Direct Radiating LF 15"

## **A** construction

The SA15 is a dedicated LF / subwoofer system in a trapezoidal, computer optimized enclosure. Loudspeaker complement consists of a single 15" LF woofer in a vented chamber. The enclosure is constructed of durable 12-ply void-free birch laminate, dadoed for strength and durability. Handles are balance-optimized to facilitate transportation. A standard tripod / polemount adaptor is included. Perforated steel is employed for frontal protection of the loudspeaker complement.

### Features:

**McCauley Performance Class Componentry**  
**Tripod / Polemount Adaptor**  
**9 ply Dadoed Construction**  
**Durable ProCoat™ Elastomeric Finish**



## **💡** the idea behind it

The SA15 was designed as multipurpose, dedicated LF system for small to medium scale sound reinforcement. The SA15 offers high quality bass output in a manageable, durable enclosure. The SA15 can be combined with SA10-1 or SA12-1, by stacking or use of the polemount adaptor, to create a high impact, scalable 3-way P.A. system. This system also integrates easily with other McCauley SA™ products, offering consistent coverage and a uniform appearance.

### Applications:

**Auditoriums**  
**Corporate / Seminar**  
**Multipurpose Rental P.A.**  
**Rehearsal P.A.**

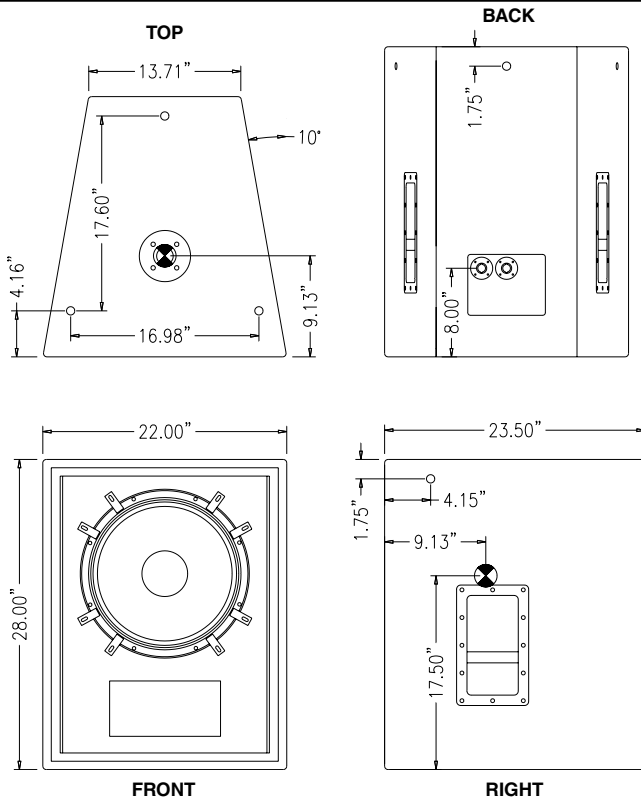
## performance parameters

## physical properties

|                                   |                     |                             |                               |
|-----------------------------------|---------------------|-----------------------------|-------------------------------|
| <b>power handling</b>             | <b>400w RMS</b>     | <b>weight</b>               | <b>95lbs / 43kgs</b>          |
| <b>frequency response</b>         | <b>50Hz - 800Hz</b> | <b>dimensions</b>           | <b>28H x 22W x 24D</b>        |
| <b>nominal impedance</b>          | <b>8Ω</b>           | <small>inches</small>       | <b>71H x 56W x 61D</b>        |
| <b>sensitivity</b>                | <b>98db</b>         | <small>centimeters</small>  |                               |
| <small>(2.83v@8Ω, 1w, 1m)</small> |                     | <b>finish</b>               | <b>ProCoat™</b>               |
| <b>maximum output SPL</b>         | <b>128db</b>        | <b>enclosure material</b>   | <b>5/8" 12-ply</b>            |
| <small>Continuous</small>         | <b>131db</b>        | <b>construction</b>         | <b>rabbet &amp; dadoed</b>    |
| <small>Peak</small>               |                     | <b>suspension</b>           | <b>none</b>                   |
| <b>recommended bandpass</b>       | <b>20Hz / 180Hz</b> | <b>connectors</b>           | <b>parallel NL4</b>           |
|                                   |                     | <b>transducers</b>          | <b>(1) 15"</b>                |
|                                   |                     | <b>recommended mid/high</b> | <b>SA10-1, SA12-1, SA15-1</b> |

## dimensional illustrations

## architectural specifications



The loudspeaker shall consist of one 15" low frequency driver mounted in a bass reflex enclosure. The low frequency section shall contain one 15" "Focused Field" drivers with a power handling capacity of 400 watts RMS and shall have a sensitivity of 98 dB SPL measured at 1 meter with 2.83 volts into a nominal 8 ohm load. The loudspeaker system shall be capable of 128 dB SPL continuous and 131 dB SPL peak maximum output. The loudspeaker system shall have an effective operating range of 45 Hz to 1 kHz +/- 3 dB (40Hz to 2 kHz -10 dB). The enclosure shall weigh a total of 75 lbs. and shall measure 28 inches tall, 22 inches wide (13.5 inches at rear), and 24 inches in depth. The enclosure sides shall be angled at 10° from front to back forming a trapezoidal shape. The enclosure shall be made of 12-ply birch hardwood and shall have a weather and wear resistant ProCoat™ elastomeric finish. The enclosure shall incorporate two steel handles on each side and one on the top, for easy mobility. Electrical connections shall be made via paralleled Neutrik NL-4 connectors, or optional NL-8 or EP series connectors. The loudspeaker shall be the McCauley SA15.

## response data

