

# SA10-1

product group: Stage Performance (GROUNDSTACK)  
system type: Direct Radiating 10"+ 1" HFD

## construction

The SA10-1 is a 2-way full range system in a trapezoidal, computer optimized enclosure. Loudspeaker complement consists of an 10" LF woofer in a ported sub-enclosure, and a single 1" compression driver mounted on a 90°x80° horn. The enclosure is constructed of durable 12-ply void-free birch laminate, dadoed for strength and durability. A standard tripod / polemount adaptor is included. Handles are balance-optimized to facilitate transportation. Perforated steel is employed for frontal protection of the loudspeaker complement.

### Features:

- Switchable Passive to Biamp Crossover
- McCauley Performance Class Componentry
- Tripod / Polemount Adaptor
- 9 ply Dadoed Construction
- Durable ProCoat™ Elastomeric Finish



## the idea behind it

The SA10-1 was designed as a compact, multi-purpose, dedicated full range system for small to medium scale sound reinforcement. Used singly, or in pairs, this system offers high quality, high SPL sound in a manageable, durable package. Use an optional SA18 subwoofer for extra low frequency impact. This system integrates with other McCauley SA™ products, offering consistent coverage and a uniform appearance.

### Applications:

- Sidefills
- Auditoriums
- Corporate / Seminar
- Rehearsal P.A.

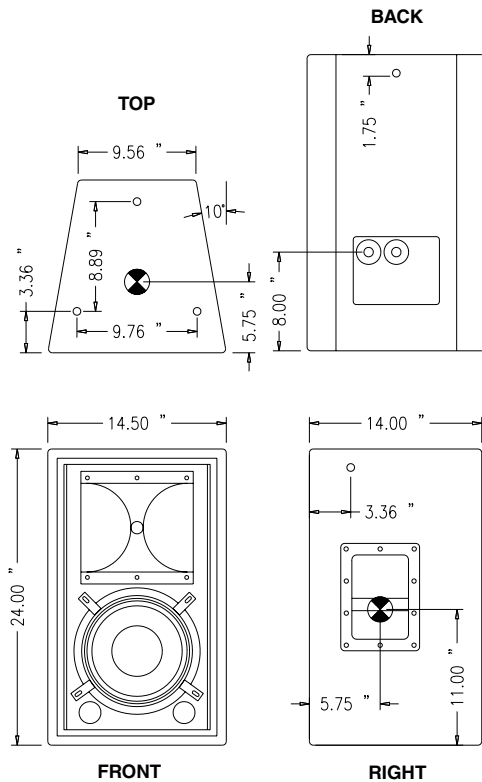
### performance parameters

power handling	400w RMS
frequency response	50Hz - 20kHz
nominal impedance	8Ω
Low	16Ω
High	
sensitivity	94db
Low	109db
High	
maximum output SPL	127db
Continuous	131db
Peak	
directivity/coverage	90°x80° (HxV)

### physical properties

weight	62lbs / 28kgs
dimensions	24H x 15W x 14D
inches	61H x 37W x 35D
centimeters	
finish	ProCoat™
enclosure material	5/8" 12-ply
construction	rabbet & dadoed
suspension	none
connectors	parallel NL4
transducers	(1) 10" LF (1) 1" HF Driver
recommended subwoofer	SA15

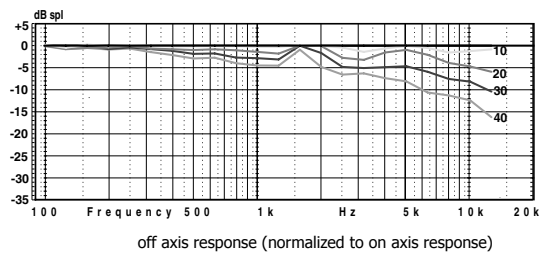
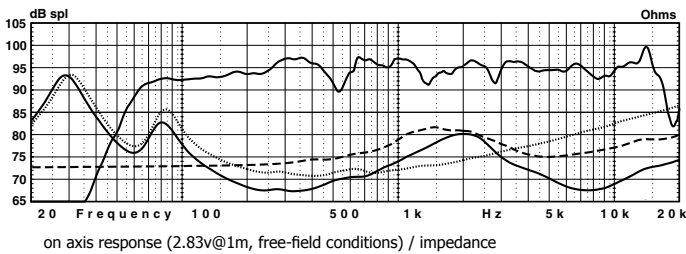
## dimensional illustrations



## architectural specifications

The loudspeaker shall be a two-way type with one 10" low frequency driver mounted in a bass reflex enclosure and one high frequency horn flare utilizing a 1" throat compression driver. The low frequency section shall contain one 10" "Focused Field" driver with a power handling capacity of 250 watts RMS and shall have a sensitivity of 94 dB SPL measured at 1 meter with 2.83 volts into a nominal 8 ohm load. The high frequency section shall consist of one 1" exit compression driver and horn combination with a power handling capacity of 100 watts RMS and a sensitivity of 109 dB SPL measured at 1 meter with 2.83 volts into a nominal 16 ohm load. The combined loudspeaker system shall be capable of 127dB SPL continuous and 131 dB SPL peak maximum output. The loudspeaker system shall have an effective operating range of 70 Hz to 17 kHz +/- 3 dB (50Hz to 20 kHz -10 dB). The loudspeaker shall offer coverage angles of 90o Horizontal, and 80o Vertical. The enclosure shall weigh a total of 62 lbs. and shall measure 24 inches tall, 14.5 inches wide (9.5 inches at rear) and 14 inches in depth. The enclosure sides shall be angled at 10o from front to back forming a trapezoidal shape. The enclosure shall be made of 12-ply void-free birch hardwood and shall have a weather and wear resistant ProCoat™ elastomeric finish. The enclosure shall incorporate one steel handle on each side for easy mobility. Electrical connections shall be made via paralleled Neutrik NL-4 connectors, or optional NL-8 or EP series connectors. An optimized passive crossover network shall be switchable between full range and biamp modes. The loudspeaker shall be the McCauley SA10-1.

## response data



## polar data

Outer ring is +6dB, each ring represents an additional -6dB down. For vertical plots, 90° represents the top of an enclosure, 270° is the bottom.

